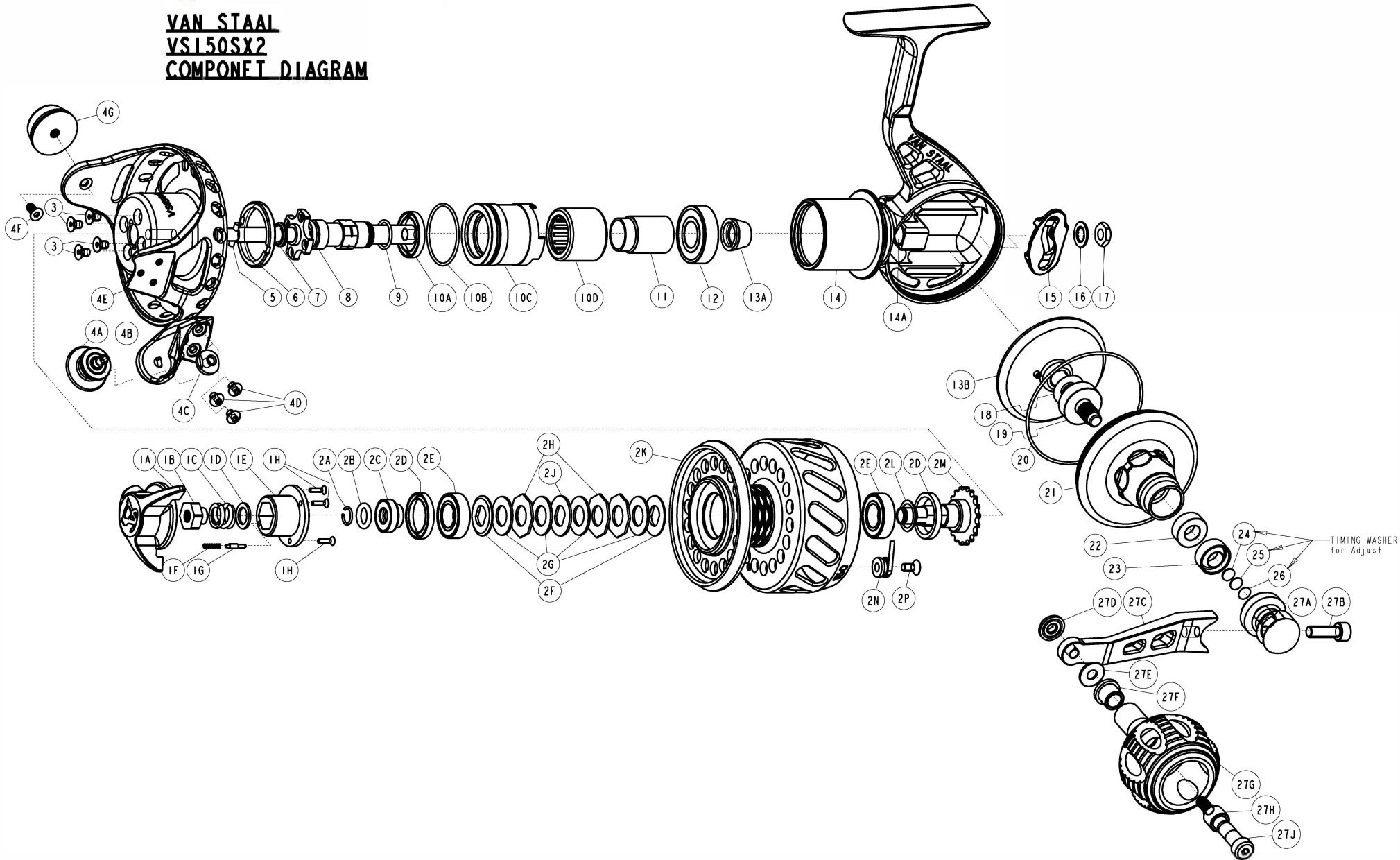




**VAN STAAL**  
**VS150SX2**  
**COMPONENT DIAGRAM**



## Van Staal VS150SX2 Part List

Key No.	Description	Part No.	Q'TY	Key No.	Description	Part No.	Q'TY
		VS150SX2				VS150SX2	
1	Drag Knob Assembly (Kit)	VS41006-01	1	9	Spool Shaft Guide O-Ring	VS164-01	1
1A	Drag Knob	VS1006-10	1	10	Clutch Housing Assembly	VSD4038-01	1
1B	Drag Nut	VS1027-01	1	10A	Clutch Housing Cup Seal	OSPR6	1
1C	Drag Spring	VS1054-01	1	10B	Clutch Housing O-Ring	ORR8	1
1D	Drag Knob Washer	VS035-01	1	10C	Clutch Housing	VSD038-01	1
1E	Drag Knob Cap	VS1026-01	1	10D	One Way Clutch	VS1090	1
1F	Drag Click Spring	VS049-01	1	11	One Way Clutch Sleeve	VSD139-01	1
1G	Drag Click Pawl	VS149-01	1	12	Ball Bearing	DP058-02	1
1H	Drag Knob Cap Screw	SCFH15	3	13	Gear Kit	VSD4312-01	1
2	Spool Assembly (Kit)	VSD321-02	1	13A	Pinion Gear	(SR1011)	1
2A	Retainer Ring	SR1041	1	13B	Main Gear Assembly	(VSD312-01)	1
2B	Spool Retainer O-Ring	ORR10	1	14	Body Assembly	VSD301-02	1
2C	Spool Retainer	VS1024-B	1	14A	Body Bushing	SR1016-01	1
2D	Cup Seal	OSPR6	2	15	Travers Guide (O/S Slider)	VS1017-01	1
2E	Ball Bearing	CP058-03	2	16	Internal Teeth Lock Washer	WSLCIT1	1
2F	Drag "D" Washer - Chamfered	SR1036	2	17	Spool Shaft Hex Nut	NTHX1	1
2G	Drag Disc	SR1038-1	4	18	Shim Washer - 0.002	SR1075-01	1
2H	Drag Key Washer - Octagon	SR1039	2 (3)		Shim Washer - 0.005	SR1075-02	1
2J	Drag "D" Washer	SR1037	1		Shim Washer - 0.010	SR1075-03	1
2K	Spool	VSD021-02	1	19	Drive Gear Ball Bearing	BGRS12-B	1
2L	Compensation Washer	SR1076	1	20	Body Cover O-Ring	ORR9	1
2M	Spool Hub	VS1040	1	21	Body Cover	VSD023-02	1
2N	Clicker Sub Assembly	SR1058-1	1	22	Body Cover Ball Bearing	BGRS90	1
2P	Flat Socket Head Screw	SCFH2	1	23	Body Cup Seal	OSPR5	1
3	Rotor Screw	SCFH6	4	24	Timing Washer 0.5	DA082-02	1
4	Rotor Assembly (Kit)	VSD4009-02	1	25	Timing Washer 0.3	DA082-03	1
4A	Line Roller Assembly	SR3020-1	1	26	Timing Washer 0.1	DA082-04	1
4B	Line Roller Bracket	VSD007-02	1	27	Handle Assembly (Kit)	VSD318-02	1
4C	Line Roller Spindle Nut	SR3028P	1	27A	Handle Hub (Stand)	SR1014S	1
4D	Line Roller Bracket Screw	SCBH1	3	27B	Handle Screw	SCSHC8	1
4E	Rotor	VSD009-02	1	27C	Handle Arm	VSD018-02	1
4F	Counter Weight Screw	VR057-02	1	27D	Handle Knob Bolt Nut	SR1060P	1
4G	Counter Weight	VSD017-01	1	27E	Handle Washer	SR1078	1
5	Spool Shaft Assembly	VSD315-01	1	27F	Handle Knob Bushing - Flanged	SR1030	1
6	Lock Ring	VSD122-01	1	27G	Power Grip Handle Knob	SR1208-02	1
7	Quad Seal	ORQ3	1	27H	Handle Knob Bushing - Plain	SR1029	1
8	Spool Shaft Guide	VSD075-01	1	27J	Handle Knob Spindle	VS1020-02	1